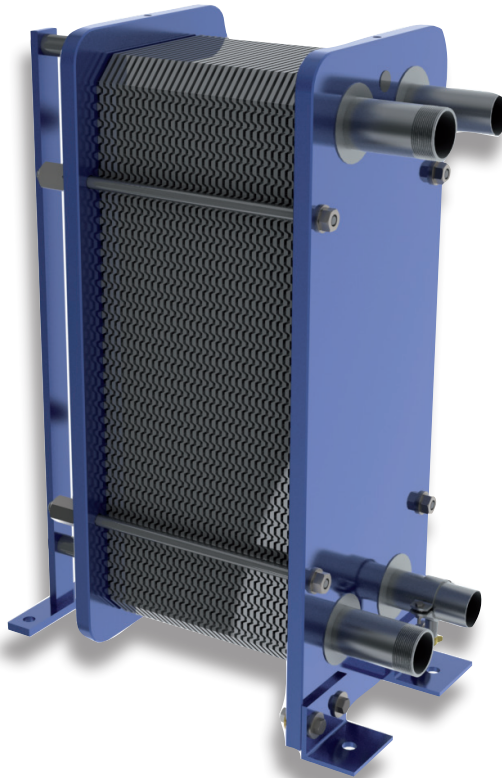
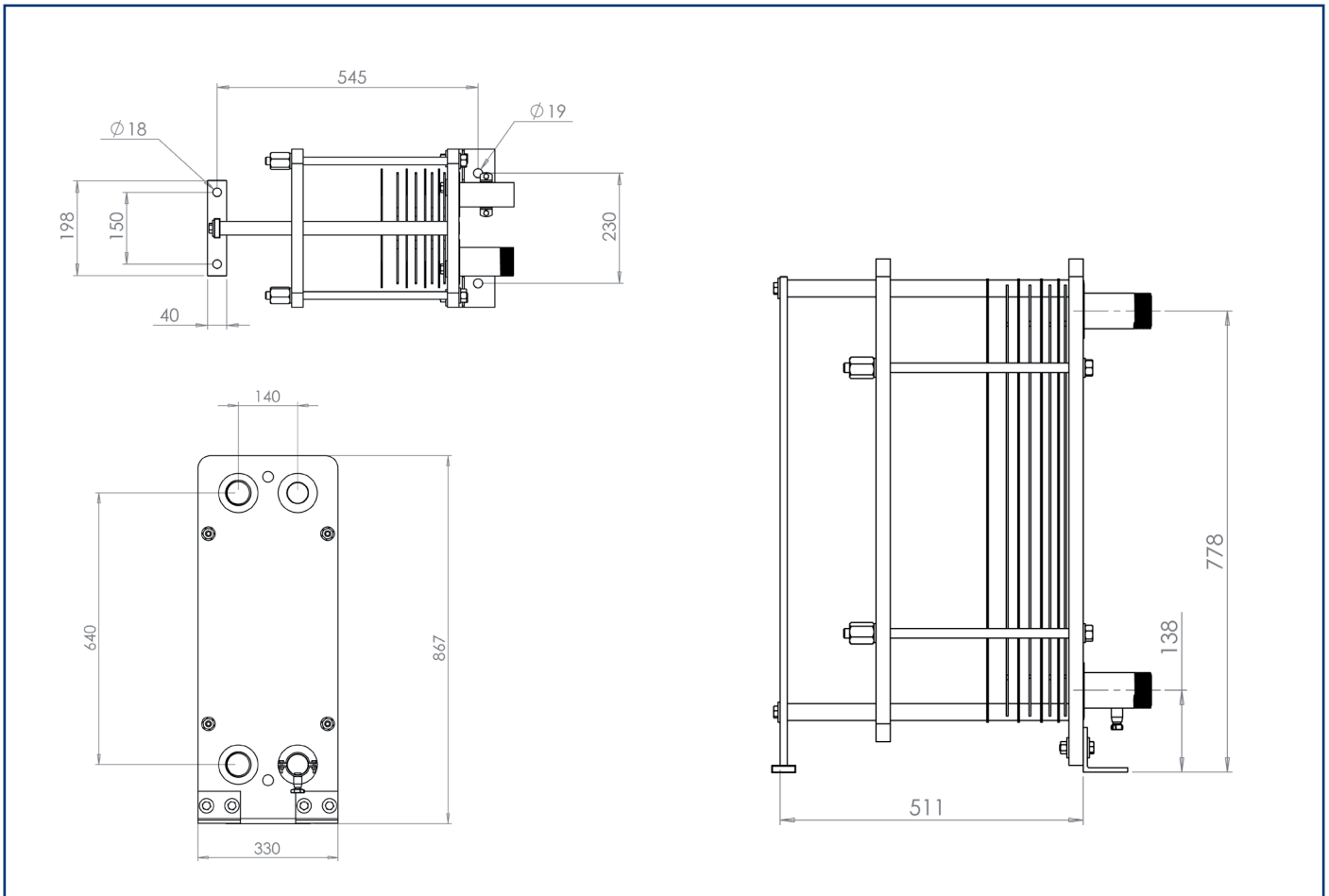


SupaFlo



SupaFlo Plate Heat Exchanger:

- Industrial Quality
High specification long life components
- High Performance
Designed for large milking parlours
- High Grade 316 Grade Stainless Steel Plates
Food grade competency
- Clip on Food Grade Nitrile gaskets
Rapid replacement of gaskets - no glue required
- Cooling Medium flow rate 2:1
- Rapid Strip down and Assembly
Reduces down time when manual inspection is required
- Free Standing
Small footprint
Self supporting no brackets required
- 51mm Milk ports and 2' BSP Water Ports
Designed for maximum flow rates
- Single and Multiple Pass Units Available



SupaFlo - Single Bank

SupaFlo - Double Bank

Model	Milk litres per hour	Milk Gals per hour (imp)	Water Flow Rate litres	Coolant Flow Rate litres
M3000	3000	660	3000	N/A
M4000	4000	880	4000	N/A
M5000	5000	1100	5000	N/A
M6000	6000	1320	6000	N/A
M7000	7000	1540	7000	N/A
M8000	8000	1760	8000	N/A
M9000	9000	1980	9000	N/A
M10000	10000	2200	10000	N/A

Model	Milk litres per hour	Milk Gals per hour (imp)	Water Flow Rate litres	Coolant Flow Rate litres
MM3000	3000	660	3000	3000
MM4000	4000	880	4000	4000
MM5000	5000	1100	5000	5000
MM6000	6000	1320	6000	6000
MM7000	7000	1540	7000	7000
MM8000	8000	1760	8000	8000
MM9000	9000	1980	9000	9000
MM10000	10000	2200	10000	10000

Customer Services
Technical Advice

+64 9 571 5893
+64 9 571 5891

www.skellerup.co.nz
Skellerup Industries Ltd
1/37 Mount Wellington Highway
Mount Wellington
New Zealand